

HAND CARRY AXLE JACK

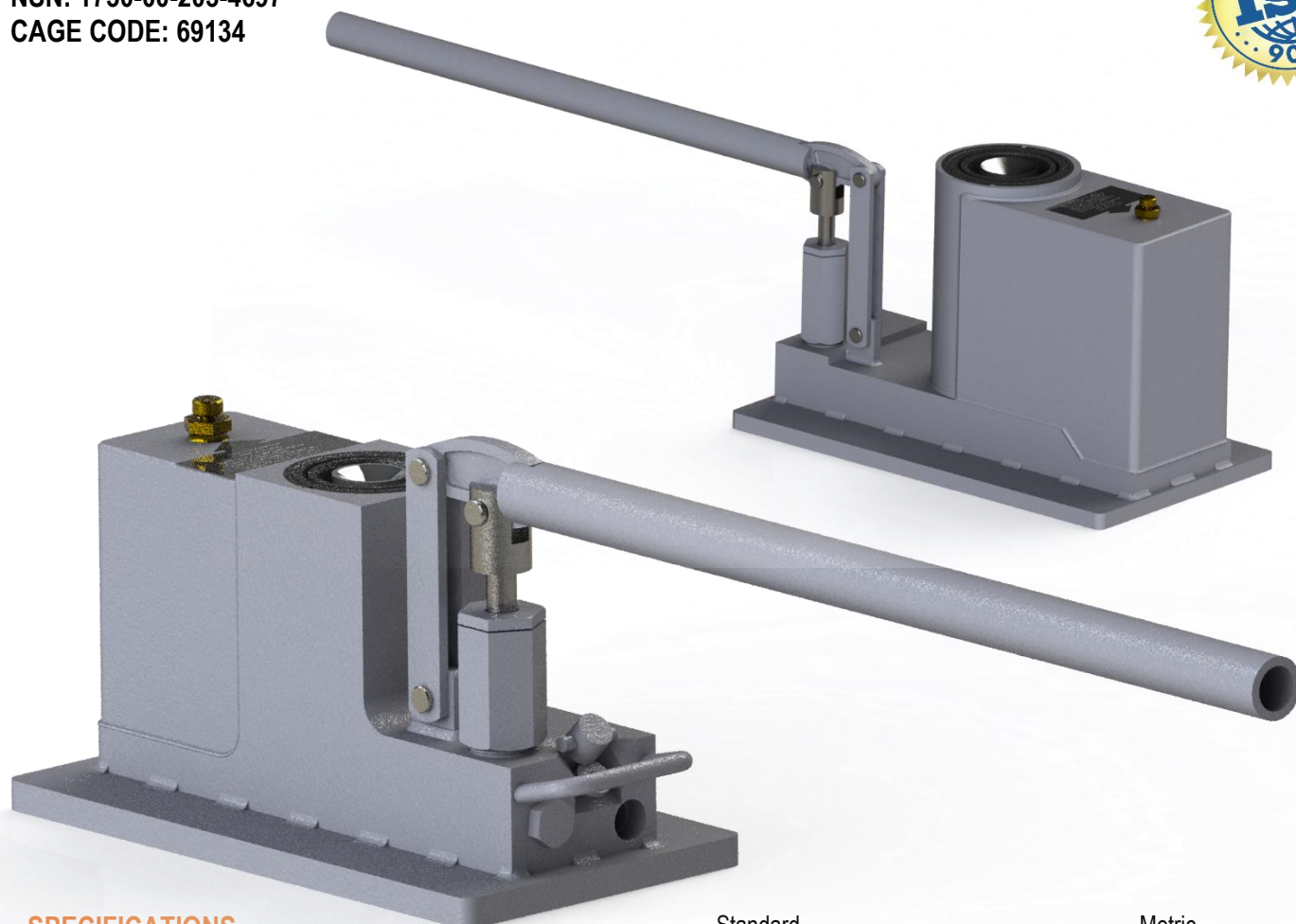
Product Data Sheet



Model 53D22004 – 10 Ton Capacity

NSN: 1730-00-203-4697

CAGE CODE: 69134



SPECIFICATIONS

	<u>Standard</u>	<u>Metric</u>
Vertical Capacity	20,000 lbs	9,072 kg
Hydraulic Lift	13 in	330 mm
Screw Extension	4 in	102 mm
Minimum Height (closed)	8 in	203 mm
Maximum Extended Height	25 in	635 mm
Jack Net Weight (estimate)	50 lbs	23 kg
Jack Overall Dimensions (length x width x height)	13.5 in x 4.5 in x 8 in	343 mm x 114 mm x 203 mm
Crate Weight (estimate)	66 lbs	30 kg
Crate Dimensions (estimate) (length x width x height)	16 in x 7 in x 16 in	406 mm x 178 mm x 406 mm

CONTACT

Manifold & Phalor, Inc.
10385 Busey Road
Canal Winchester, Ohio 43110

Phone: 614.920.1200
Fax: 614.920.1205
sales@manifoldphalor.com



**Manifold
& Phalor**

www.manifoldphalor.com